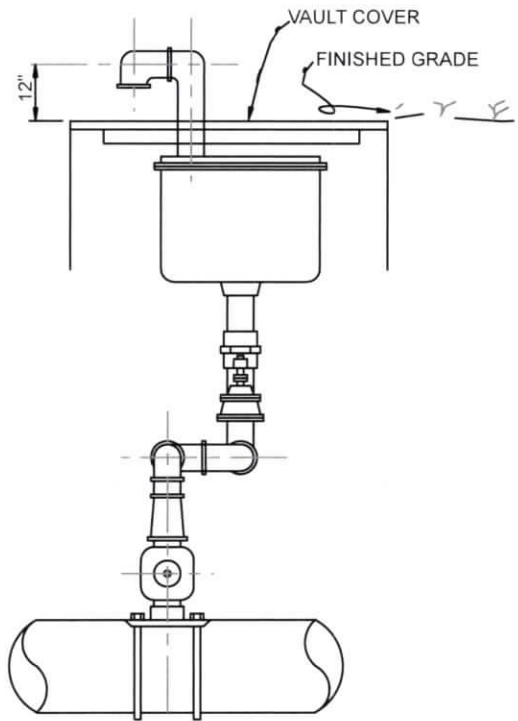
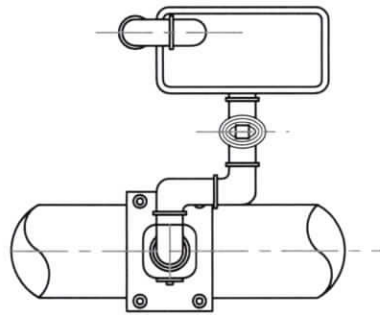


**SECTION**



**SIDE VIEW**



**TOP VIEW**

**NOTES:**

1. ALL PIPING AND CONNECTORS SHALL BE BRONZE, EXCEPT TAPPING SADDLE.
2. STAINLESS STEEL BOLTS WILL BE USED ON TAPPING SADDLES.
3. FRAME AND LID FOR VAULT SHALL BE AS SHOWN ON STANDARD DRAWING WAT- 10.
4. PROVIDE PROTECTION (BARRIER) TO PREVENT DAMAGE TO THE ABOVE-GROUND RISER PIPE.

STANDARD DETAIL SWATER/WAT-13

REVISION	BY	DATE	<b>AIR RELIEF VALVE AND VAULT STANDARD DETAILS</b>	
			DATE: 02/2020	STANDARD NO. WAT-13