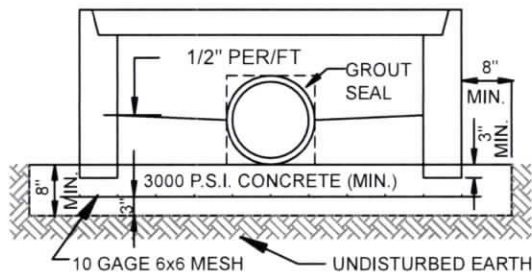


3" TO 6" OF CLASS "A" CLASS "A" CRUSHED STONE (COMPACTED) UNDISTURBED EARTH

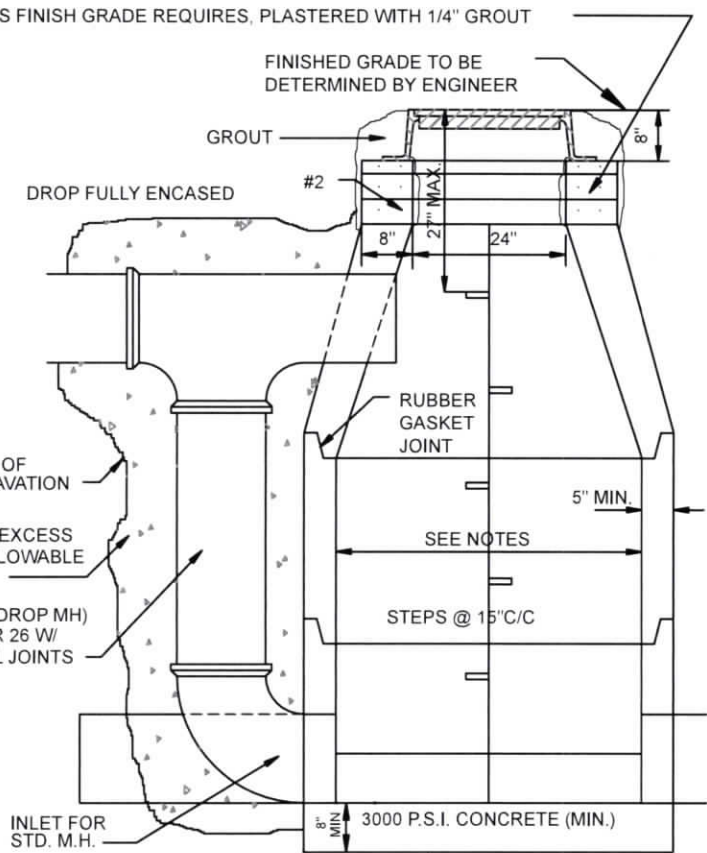
PRECAST MANHOLE FLAT TOP



CAST-IN-PLACE BASE

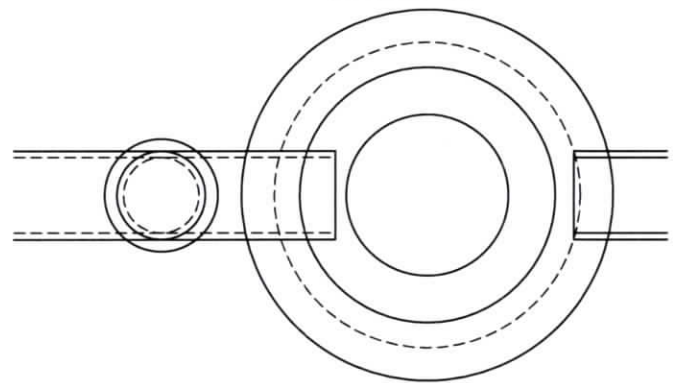
NOTES:

1. SHALL CONFORM TO CURRENT ASTM C478.
2. 8" TO 15" PIPE, 4' ID MANHOLE REQUIRED.
3. 18" TO 27" PIPE, 5' ID MANHOLE REQUIRED
4. OVER 27" PIPE MANHOLE ID AS SPECIFIED BY ENGINEER
5. MANHOLES LESS THAN 4'-6" IN HEIGHT SHALL HAVE A FULL 4'-0" ID OR LARGER FROM TOP TO BOTTOM
6. WHEN CAST-IN-PLACE BASE IS USED, THE PRECAST BOTTOM SECTION SHALL BE EMBEDDED A MINIMUM OF 3" INTO THE BASE
7. WRAP D.I.P. OR SDR 26 RISER AND JOINTS WITH POLYWRAP PRIOR TO PLACING FILL.



3" TO 6" OF CLASS "A" CLASS "A" CRUSHED STONE (COMPACTED) UNDISTURBED EARTH

PRECAST MANHOLE TAPERED TOP



STANDARD & DROP MANHOLE

1:STANDARD DETAIL/SEWER/SAN-03.dwg

REVISION	BY	DATE	<p align="center">PRECAST MANHOLE/ DROP MANHOLE STANDARD DETAILS</p>	
			ENGINEERING DIVISION	
			DATE	STANDARD NO.
			02/2020	SAN-03