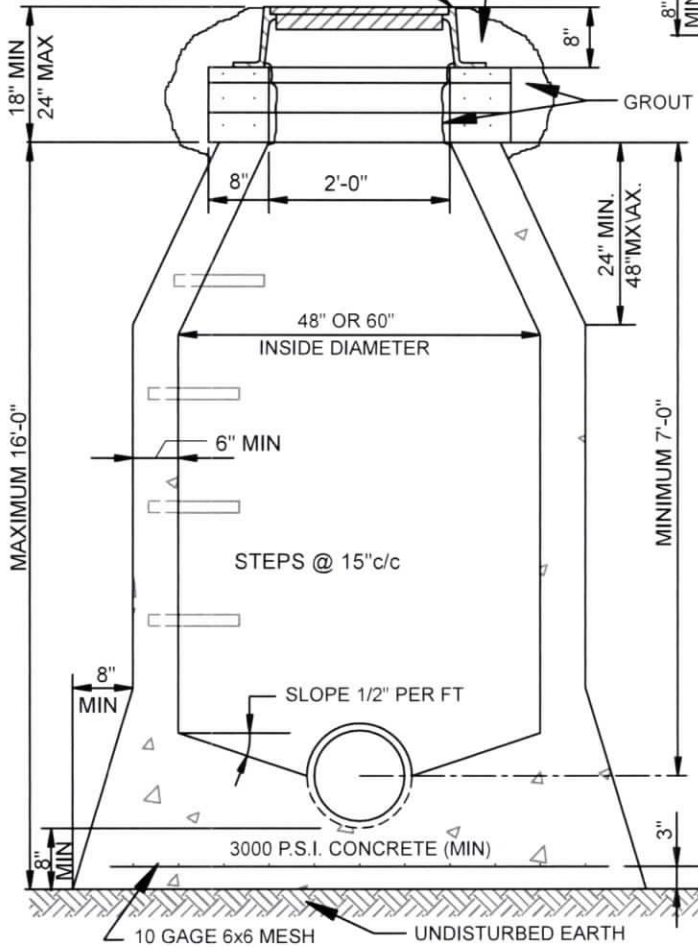
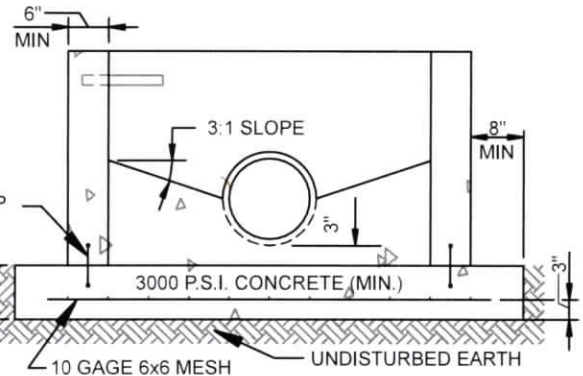


M.H. TOP ADJUSTMENT SHALL BE ACCOMPLISHED BY THE USE OF 2" OR 4" REINFORCED CONCRETE CONCENTRIC RINGS AS FINISH GRADE REQUIRES, PLASTERED WITH 1/4" GROUT.

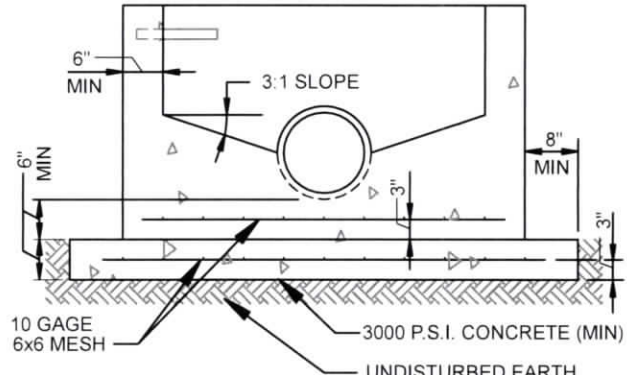
FINISHED GRADE TO BE DETERMINED BY ENGINEER



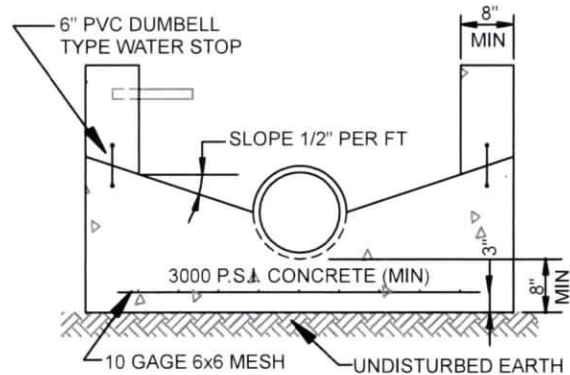
MONOLITHIC CONSTRUCTION



STAGE CONSTRUCTION ALTERNATE 1



STAGE CONSTRUCTION ALTERNATE 2



STAGE CONSTRUCTION ALTERNATE 3

NOTES:

1. USE STEP DETAIL SHOWN ON STANDARD DRAWING SAN-05.
2. LOW SLUMP CONCRETE SHALL BE PLACED IN THE FOOTINGS AND LOWER WALLS, AND SHALL BE PLACED AND VIBRATED IN ONE FOOT LIFTS.
3. AN INSPECTOR MUST BE PRESENT BEFORE AND DURING THE PLACING OF THE CONCRETE.
4. THIS MANHOLE SHALL NOT BE USED IN PAVED STREETS OR OTHER TRAVELED AREAS.
5. THE CONCRETE MUST SET FOR 48 HOURS BEFORE PIPE INSIDE OF MANHOLE IS TRIMMED.
6. (ALTERNATE 3) INVERT MUST BE FORMED AT TIME OF BOTTOM POUR.
7. WATER STOPS MAY BE ELIMINATED IF BARREL OF MANHOLE IS POURED WITHIN 4 HOURS AFTER BASE IS CLEANED OF ALL MUD, SILT AND DEBRIS.

CAD:STANDARD DETAIL/SEWER/San-04.dwg

REVISION	BY	DATE	CAST IN PLACE MANHOLE STANDARD DETAILS	
			ENGINEERING DIVISION	
			DATE	STANDARD NO.
			02/2020	SAN-04