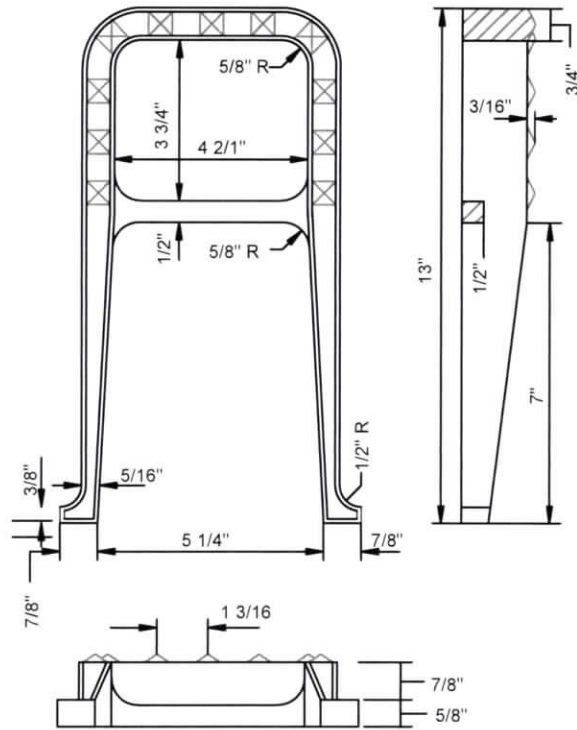
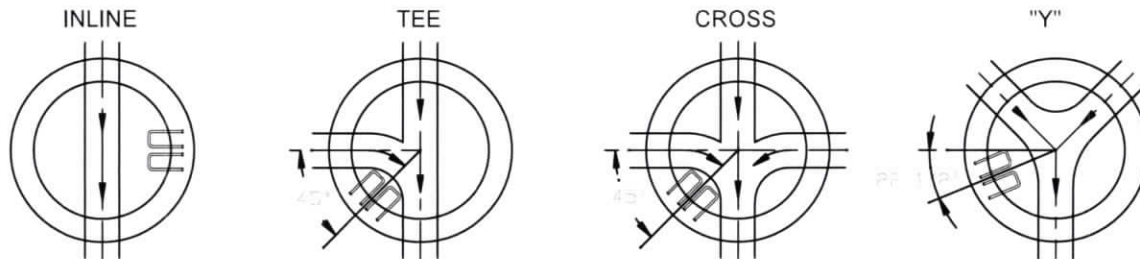


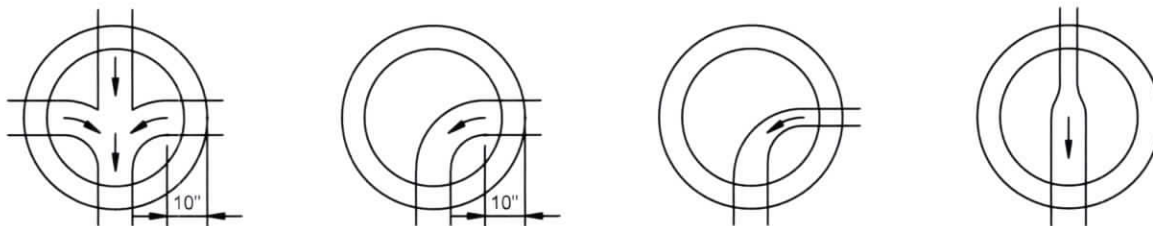
LARGE STEP



STANDARD STEP



LOCATION OF MANHOLE STEPS



TYPICAL MANHOLE INVERT DETAIL

MANHOLE INVERT MINIMUM DROPS

1/10' MINIMUM DROP ACROSS MANHOLE FOR INLINE MANHOLE INVERTS.

2/10' MINIMUM DROP FROM INLET TO OUTLET IF 90° OR LESS APART.

MAINTAIN FLOW LINE THROUGH MANHOLES AS CLOSE AS POSSIBLE.

REVISION	BY	DATE	MANHOLE STEPS & INVERT DETAILS STANDARD DETAILS	
			ENGINEERING DIVISION	
			DATE	STANDARD NO.
			02/2020	SAN-05