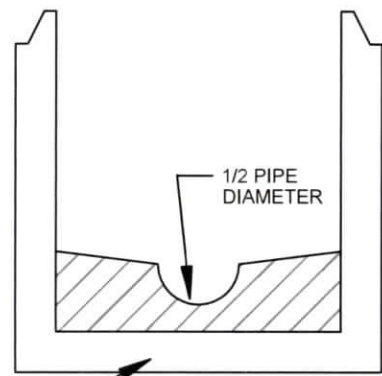
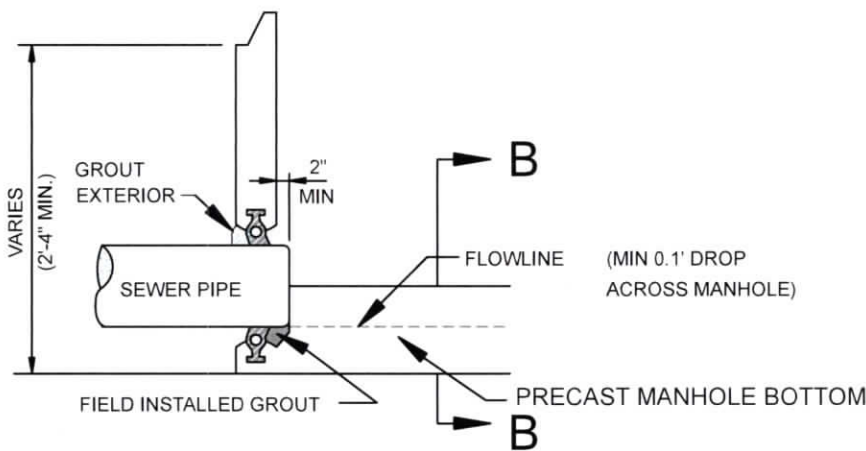


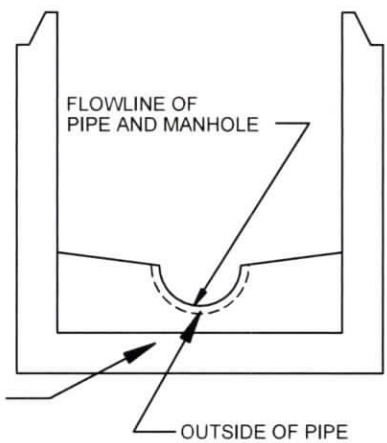
TYPE A MANHOLE



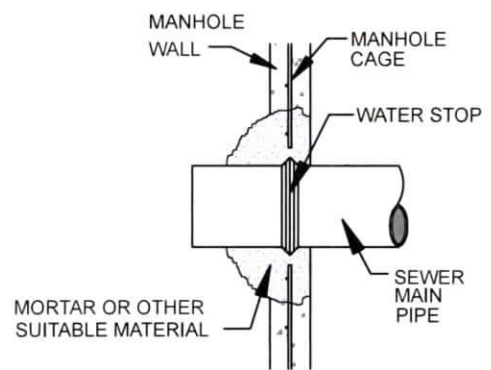
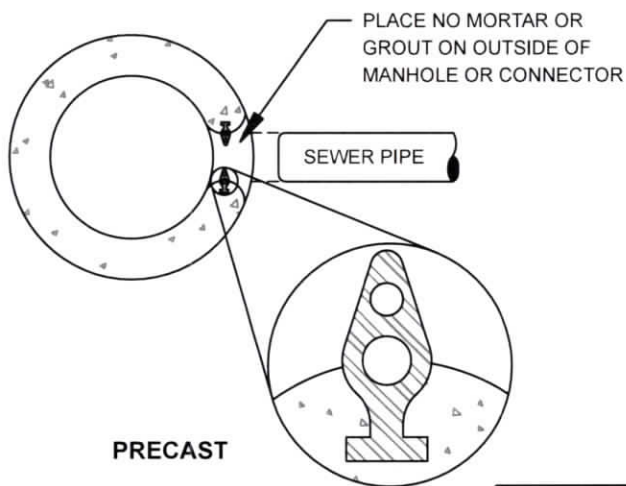
SECTION A-A



TYPE B MANHOLE



SECTION B-B



INSTALLED IN FIELD

REVISION	BY	DATE	SANITARY SEWER MANHOLE PIPE CONNECTOR STANDARD DETAILS	
			DATE	STANDARD NO.
			02/2020	SAN-07