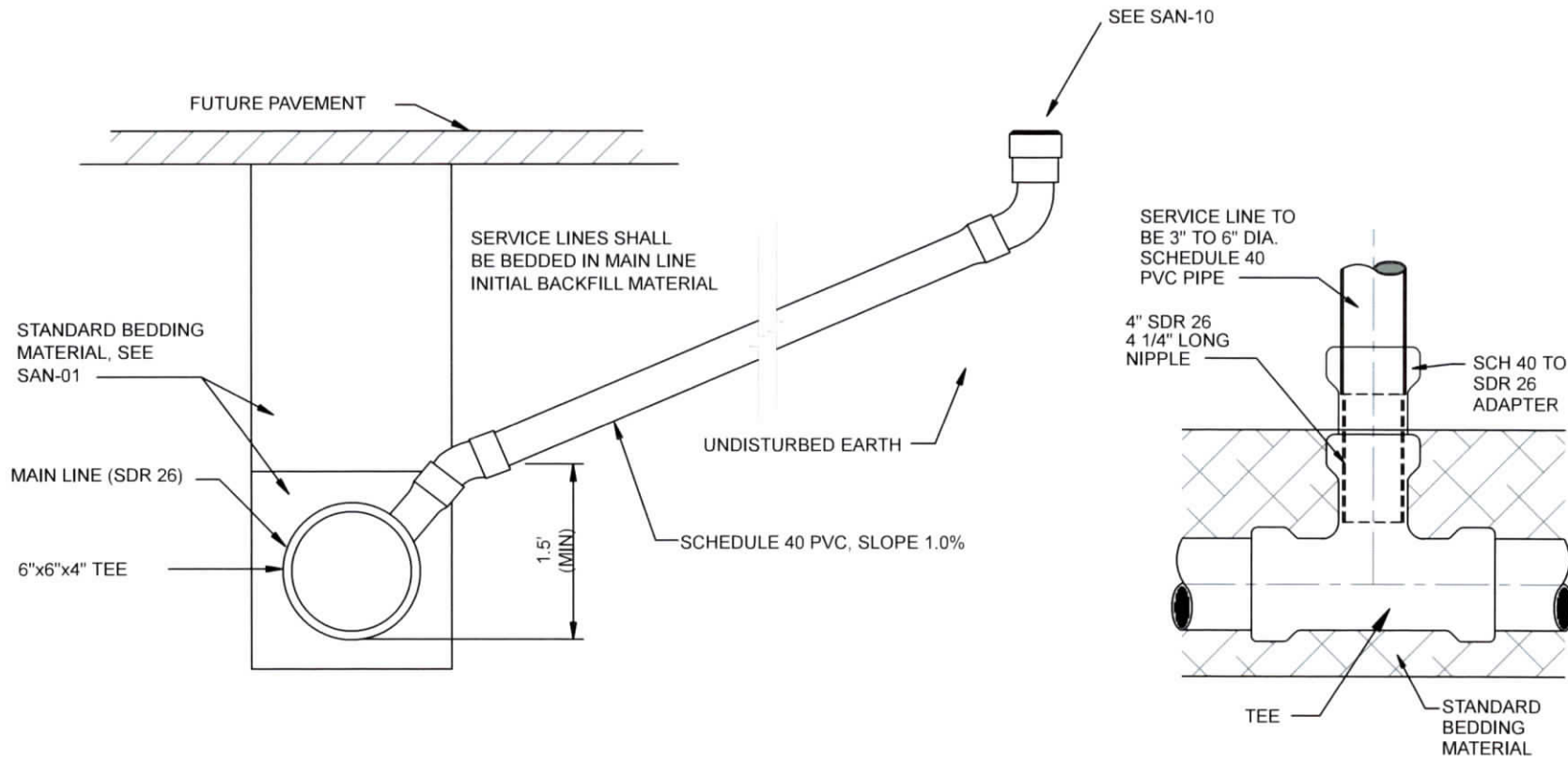


:STANDARD DETAILS\SEWER\SAN-09.dwg



REVISION	BY	DATE	<b>SANITARY SERVICE LINE UNDER PAVEMENT</b> STANDARD DETAILS	
			ENGINEERING DIVISION	
			DATE: 02/2020	STANDARD NO.: SAN-09