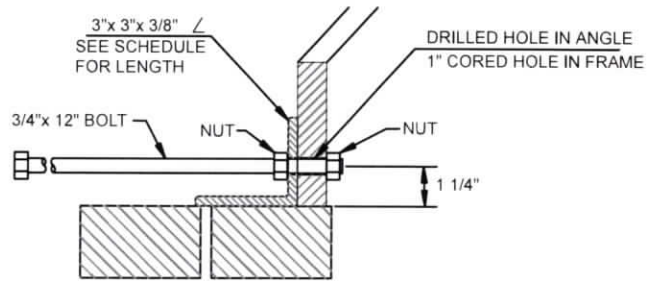


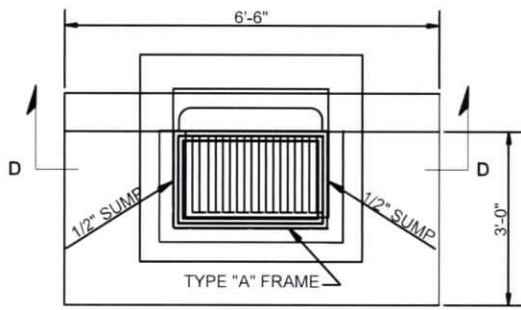
DETAIL OF CONNECTION
FRAME AND CAST IRON CURB

NOTE: FRAME TO BE BOLTED TO THE CURB WITH
3 EACH 3/4" x 4 1/2" MACHINE BOLTS

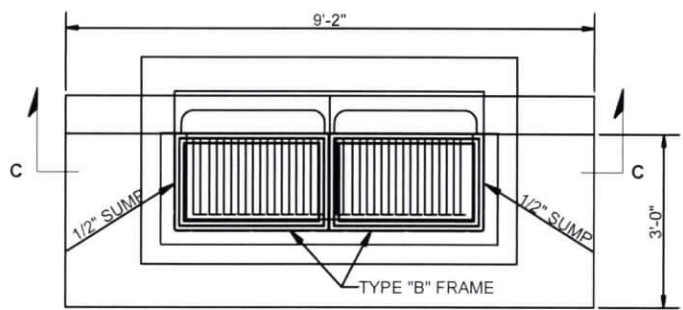


DETAIL OF CONNECTION
ANGLE IRON & CAST IRON CURB

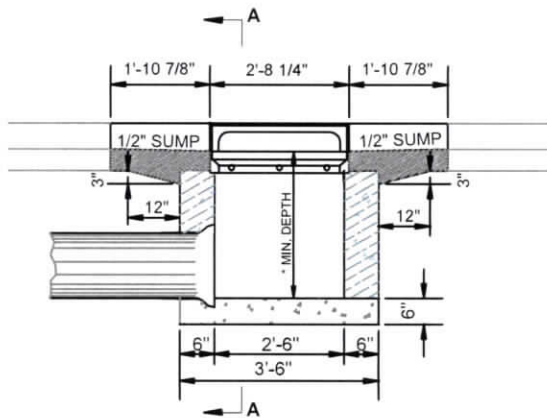
NOTE: ANGLE IRON TO BE BOLTED TO CURB
WITH 3 - 3/4" x 12" MACHINE BOLTS
IN EACH CURB SECTION



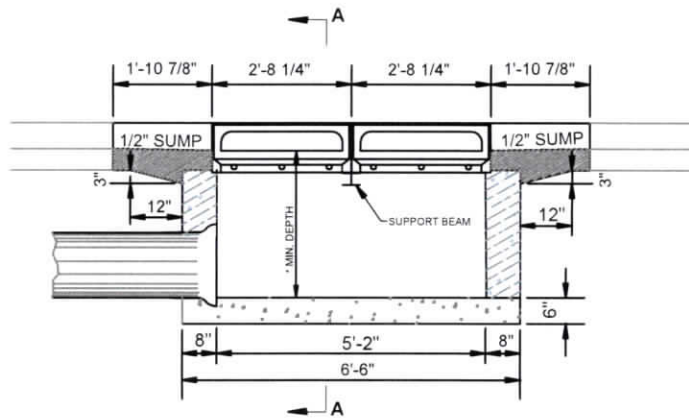
PLAN



PLAN



SECTION D-D
SINGLE GRATE CURB INLET



SECTION C-C
DOUBLE GRATE CURB INLET

*** MINIMUM DEPTH
FOR INLETS
(FOR DETAILING)**

2'-4" FOR 15" RCP
2'-8" FOR 18" RCP
3'-2" FOR 24" RCP
3'-8" FOR 30" RCP
4'-2" FOR 36" RCP

REVISION	BY	DATE	CURB INLET SHEET 1	
			STANDARD DETAILS	
			CITY OF COLLINSVILLE, OKLAHOMA	
			ENGINEERING DIVISION	
			DATE	STANDARD NO.
			02/2020	STRM-07