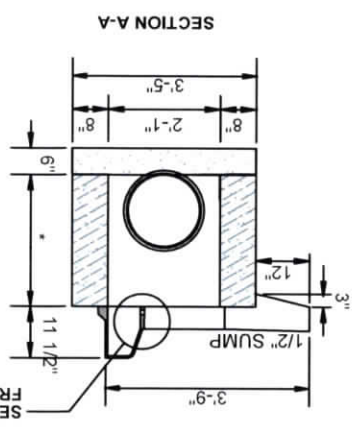
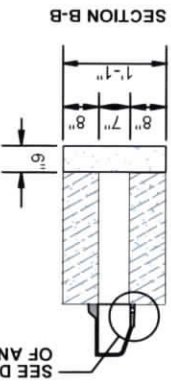


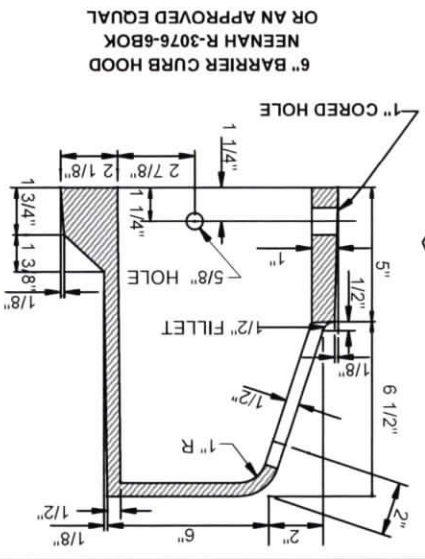
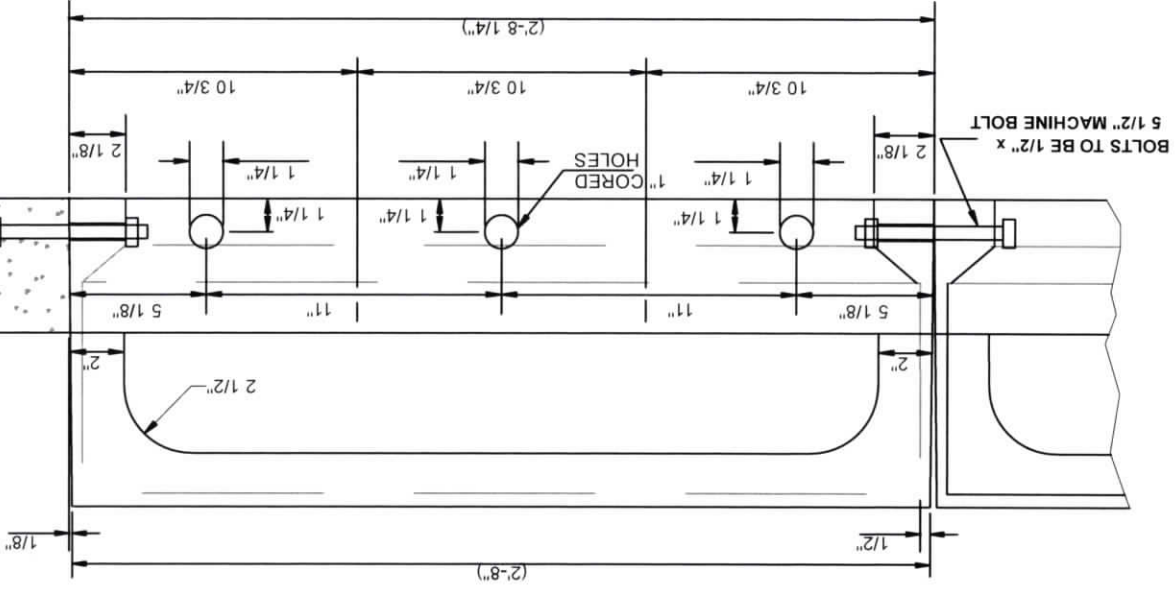
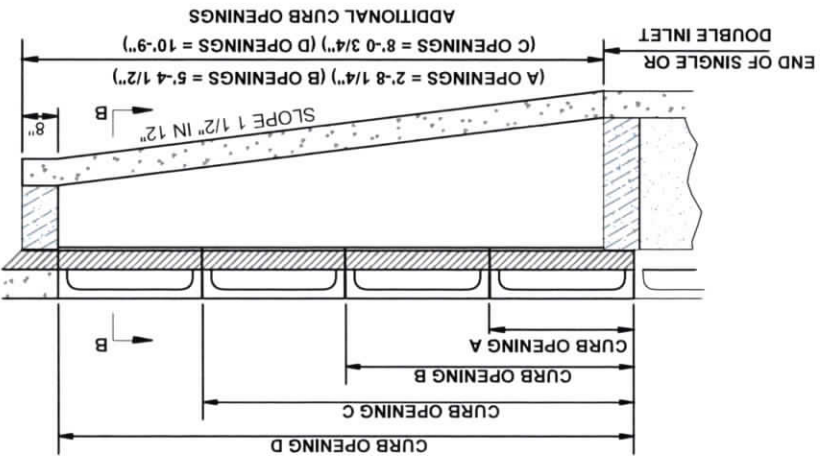
STANDARD NO.	DATE:				
STRM-08	02/2020				
ENGINEERING DIVISION					
CITY OF COLLINSVILLE, OKLAHOMA					
STANDARD DETAILS		REVISION	BY	DATE	
CURB INLET SHEET II					

MINIMUM DEPTH FOR PRECAST WALLS

1'-11" FOR 15" RCP
 2'-3" FOR 18" RCP
 2'-9" FOR 24" RCP
 3'-3" FOR 30" RCP
 3'-9" FOR 36" RCP



CAST IRON STORM SEWER CURB HOOD
 NEENAH R-3076-6BOK
 OR AN APPROVED EQUAL



6" BARRIER CURB HOOD
 NEENAH R-3076-6BOK
 OR AN APPROVED EQUAL