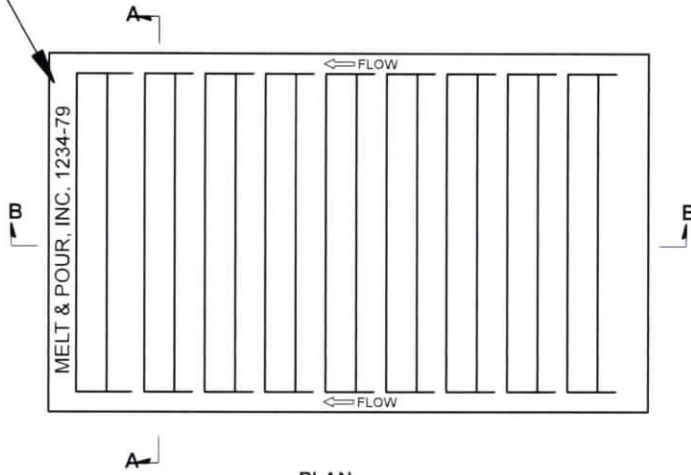
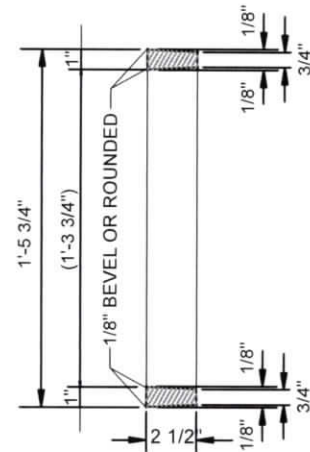


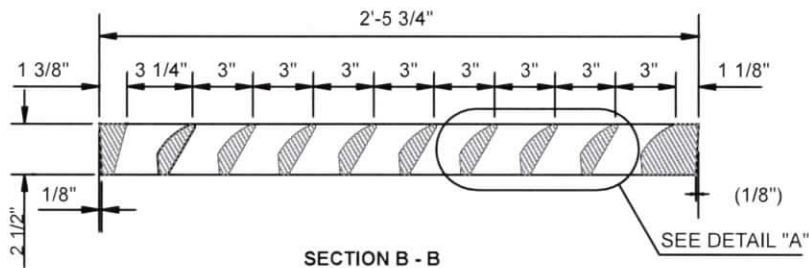
LETTERING TO IDENTIFY FOUNDRY OR DISTRIBUTOR. LETTERING TO BE NO HIGHER THAN 3/4". HEAT NUMBER OR OTHER IDENTIFICATION OF PRODUCT MAY BE INCLUDED.



PLAN

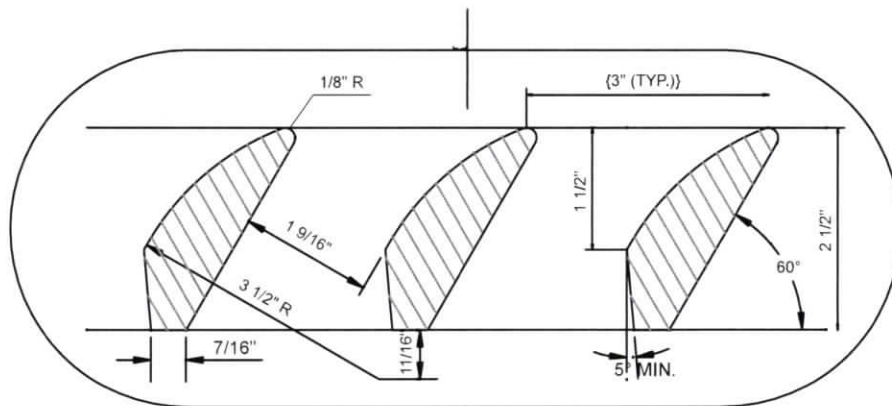


SECTION A - A



SECTION B - B

CAST GRATE
NEENAH R-3076 OR AN APPROVED EQUAL



DETAIL "A"

:\STANDARD DETAILS\STORM\STRM-10

REVISION	BY	DATE	STORM SEWER BOX GRATE STANDARD DETAILS	
			ENGINEERING DIVISION	
			DATE: 02/2020	STANDARD NO. STRM-10