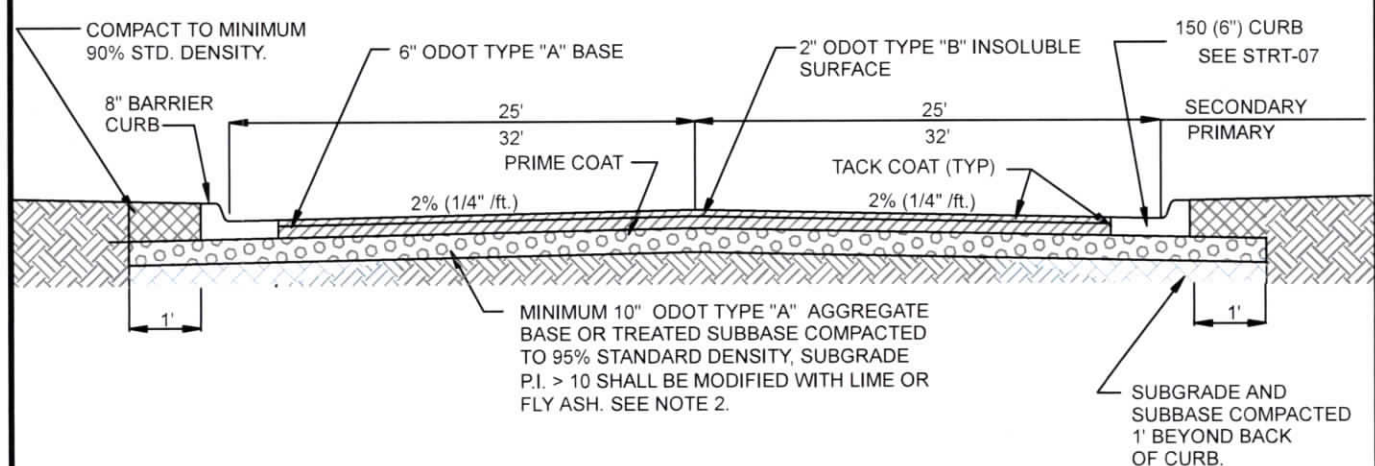


HALF SECTION INTEGRAL CURB & PAVEMENT CONCRETE STREET SECTION HALF SECTION SEPARATE PLACEMENTS



ASPHALTIC CONCRETE STREET SECTION

NOTES:

1. SECTIONS SHOWN ARE MINIMUM REQUIRED. SUBGRADE MAY REQUIRE ADDITIONAL THICKNESS OF MODIFICATION OR A SUBBASE DRAINAGE SYSTEM WHERE SEVERE SOIL CONDITIONS EXIST.
2. FOR EXISTING SUBBASE MATERIAL WITH PI < 10 SUBGRADE SHALL BE CLASSIFIED SELECT, INERT MATERIAL OR STABILIZED AND COMPACTED TO 95% STANDARD PROCTOR DENSITY.
3. ASPHALT SURFACES SHALL CONFORM TO ODOT STANDARD 401.04 FOR TOLERANCES AND STANDARD DETAIL STRT-08 FOR TEXTURE.
4. IF A COMPACTED AGGREGATE SUBBASE IS USED, THE AGGREGATE SHALL BE PLACED ON SEPARATOR FABRIC.

REVISION	BY	DATE

SECONDARY/PRIMARY ARTERIAL STREET STANDARD DETAILS	
CITY OF COLLINSVILLE, OKLAHOMA	
ENGINEERING DIVISION	
DATE 02/2020	STANDARD NO. STRT-03

:STANDARD DETAIL/STREETS/STRT-03