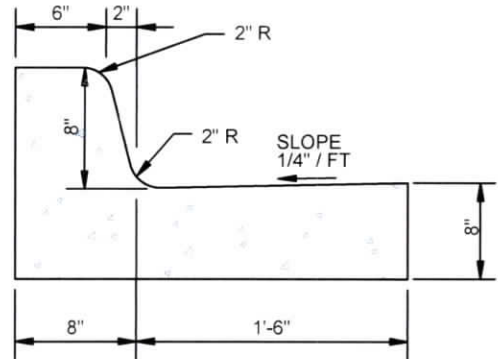
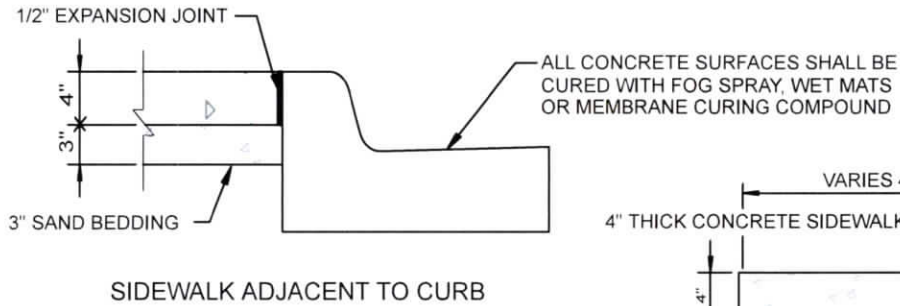


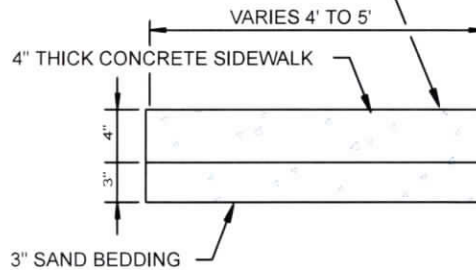
6" BARRIER CURB & GUTTER



8" BARRIER CURB & GUTTER



SIDEWALK ADJACENT TO CURB



SIDEWALK DETAIL

NOTES:

1. #6 X 24" DOWELS AT 24"-30" MAX C/C REQUIRED WHEN PAVEMENT SECTION IS NOT PLACED INTEGRALLY WITH CURB AND GUTTER.
2. FOR ASPHALTIC CONCRETE PAVEMENTS, SAW CURB AND GUTTER JOINTS 10'-15' MAX C/C WITH EVERY 8TH JOINT A 3/4" EXPANSION JOINT. FOR CONCRETE PAVEMENTS, CURB JOINT SHALL MATCH PAVEMENT JOINTS.
3. CONCRETE SHALL BE 4,000 PSI (ODOT CLASS AA)
4. EXPANSION JOINTS ARE REQUIRED AT INTERSECTION WITH STORMWATER INLETS BOXES.

STANDARD DETAIL: STREET STRT-07

REVISION	BY	DATE	CURB, GUTTER AND SIDEWALK STANDARD DETAILS	
			ENGINEERING DIVISION	
			DATE: 02/2020	STANDARD NO: STRT-07